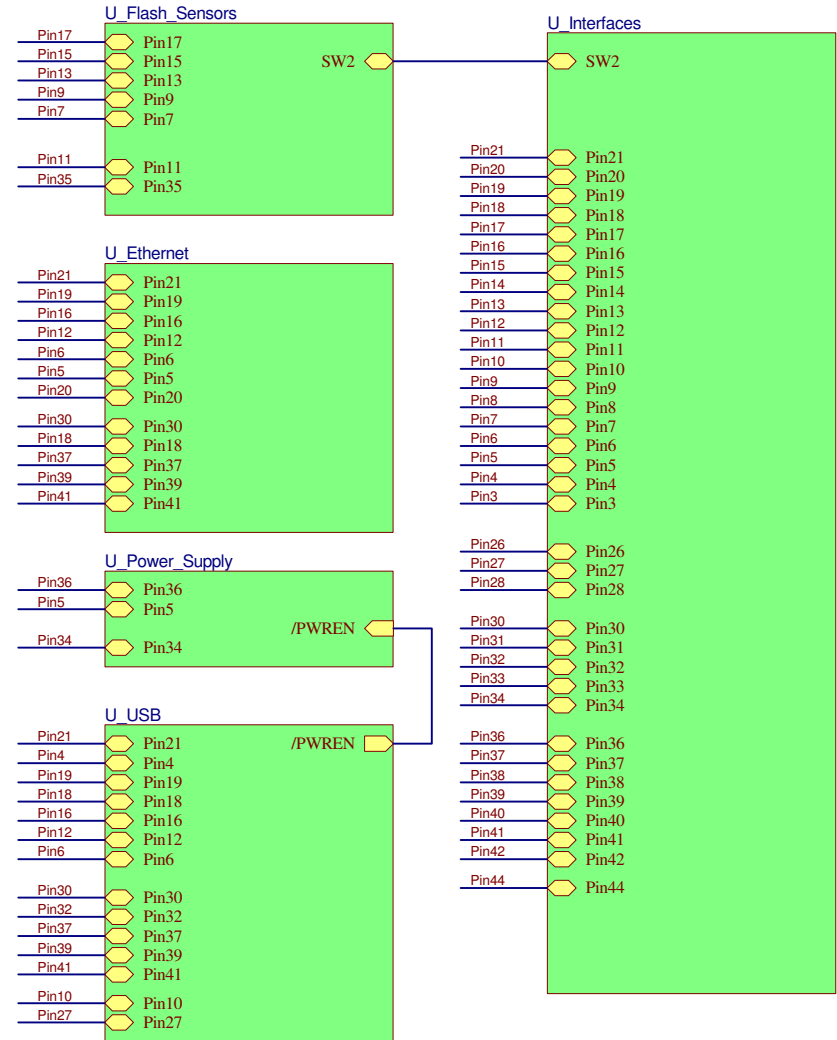
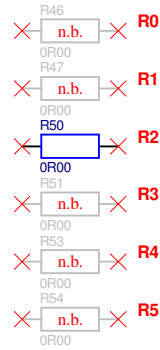
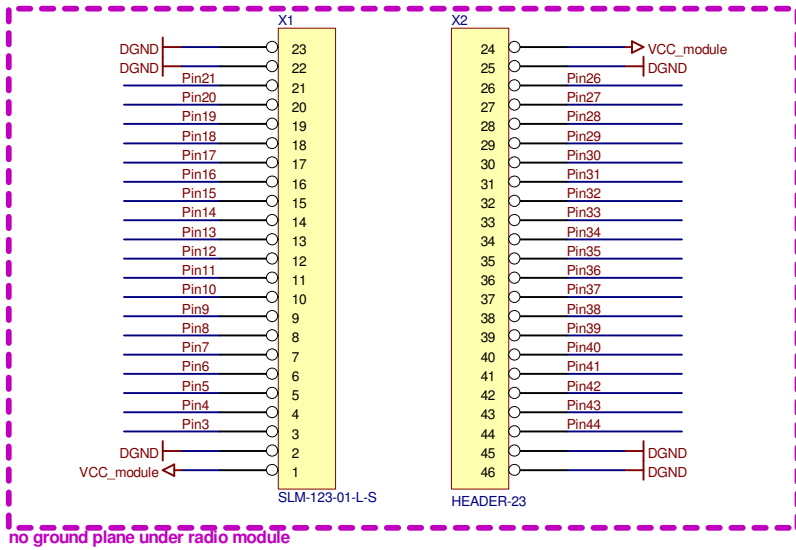
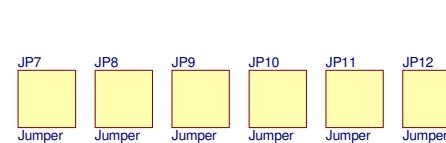


THT-RF-Header for AVR/ARM based radio modules

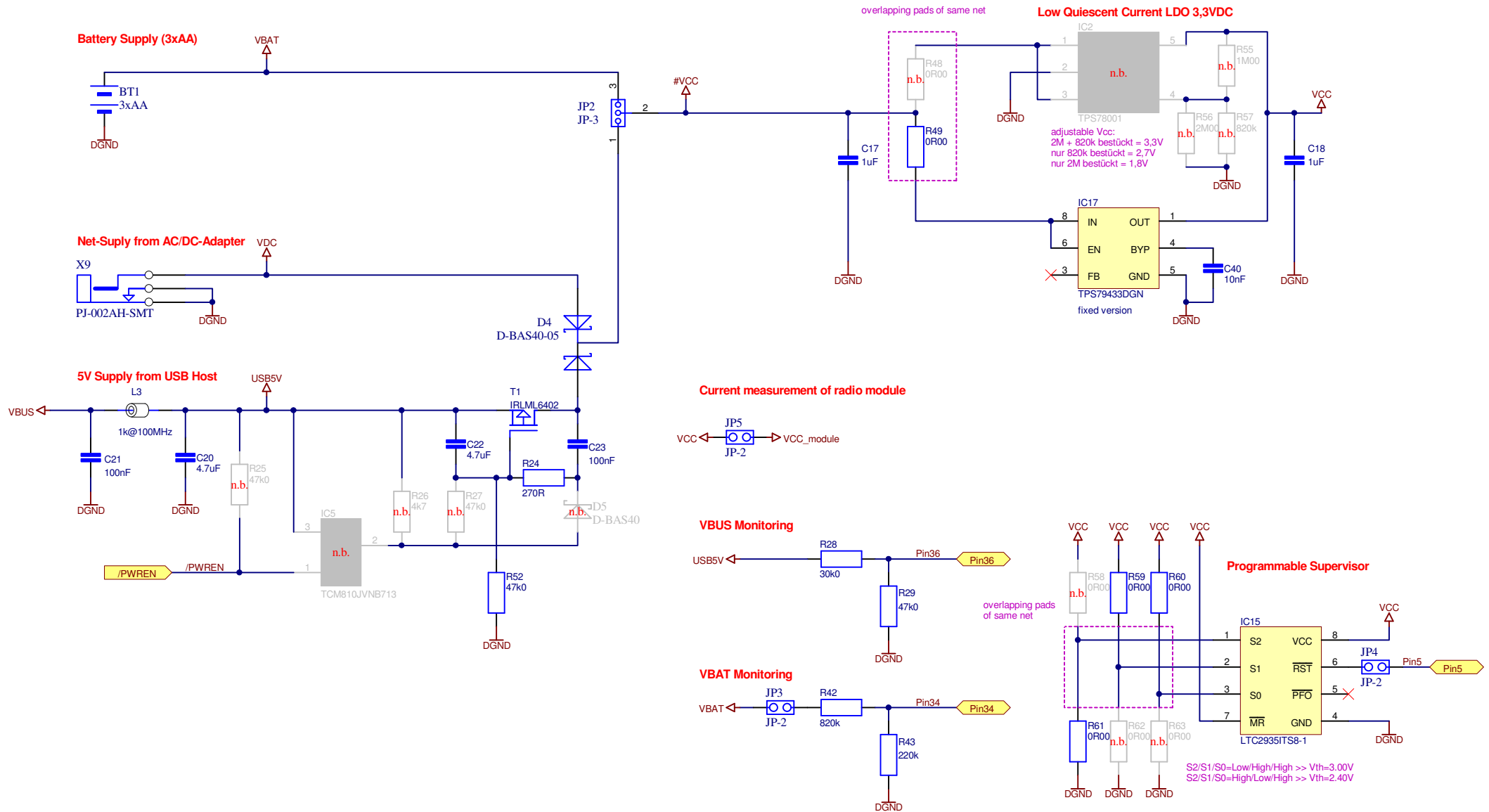


| RF-Header Pin Description |                              |                                   |       |                              |                                   |
|---------------------------|------------------------------|-----------------------------------|-------|------------------------------|-----------------------------------|
| Port                      | deRFmega128<br>ATmega128RFA1 | deRFarm7-x5xx1<br>AT91SAM7X512-CU | Port  | deRFmega128<br>ATmega128RFA1 | deRFarm7-x5xx1<br>AT91SAM7X512-CU |
| Pin23                     | GND                          | GND                               | Pin24 | VCC                          | VCC                               |
| Pin22                     | GND                          | GND                               | Pin25 | GND                          | GND                               |
| Pin21                     | PB5/OC1A/PCINT5              | PB15/ERXDV/ECRSVDV                | Pin26 | PE0/RXD0/PCINT8              | PA27/DRXD/PCK3                    |
| Pin20                     | PB7/OC0A/OC1C/PCINT7         | PB18/EF100/ADTRG                  | Pin27 | PD2/RXD1/INT2                | PA0/RXD0                          |
| Pin19                     | PB4/OC2/PCINT4               | PB6/ERX1                          | Pin28 | PE1/TXD0                     | PA28/DTXD                         |
| Pin18                     | PB6/OC1B/PCINT6              | PB8/EMDC                          | Pin29 | PD6/T1                       | PA4/CTS0/SPI1_NPCS3               |
| Pin17                     | PB3/MISO/PCINT3/PDO          | PA16/SPI0_MISO                    | Pin30 | PE2/XCK0/AIN0                | PB9/EMDIO                         |
| Pin16                     | PB0/SSN/PCINT0               | PB0/ETXCK/EREFCK                  | Pin31 | PE3/OC3A/AIN1                | PB21/PWM2/PCK1                    |
| Pin15                     | PB2/MOSI/PCINT2/PDI          | PA17/SPI0_MOSI                    | Pin32 | PD4/ICP1                     | USBDP                             |
| Pin14                     | CLKI                         | PA3/RTS0/SPI1_NPCS2               | Pin33 | PE4/OC3B/INT4                | PB19/PWM0/TCLK1                   |
| Pin13                     | PB1/SCK/PCINT1               | PA18/SPI0_SPCK                    | Pin34 | PF0/ADC0                     | PB27/TIOA2/PWM0/AD0               |
| Pin12                     | PD5/XCK1                     | PB2/ETX0                          | Pin35 | PE5/OC3C/INT5                | PA14/SPI0_NPCS2/IRQ1              |
| Pin11                     | PD7/T0                       | PB25/TIOA1/DTR1                   | Pin36 | PF1/ADC1                     | PB28/TIOB2/PWM1/AD1               |
| Pin10                     | PD3/TXD1/INT3                | PA1/TXD0                          | Pin37 | PE6/T3/INT6                  | PB5/ERX0                          |
| Pin9                      | PD1/SDA/INT1                 | PA10/TWD                          | Pin38 | PF4/ADC4/TCK                 | TCK                               |
| Pin8                      | PG5/OC0B                     | PB26/TIOB1/RI1                    | Pin39 | PE7/ICP3/CLKO/INT7           | PB7/ERXER                         |
| Pin7                      | PD0/SCL/INT0                 | PA11/TWCK                         | Pin40 | PF5/ADC5/TMS                 | TMS                               |
| Pin6                      | PG2                          | PB3/ETX1                          | Pin41 | PF2/ADC2                     | PB1/ETXEN                         |
| Pin5                      | RSTN                         | RSTN                              | Pin42 | PF6/ADC6/TDO                 | TDO                               |
| Pin4                      | PG1/DIG1                     | USBDM                             | Pin43 | RSTON                        | JTAGSEL                           |
| Pin3                      | AREF                         | ADVREF                            | Pin44 | PF7/ADC7/TDI                 | TDI                               |
| Pin2                      | GND                          | GND                               | Pin45 | GND                          | GND                               |
| Pin1                      | VCC                          | VCC                               | Pin46 | GND                          | GND                               |

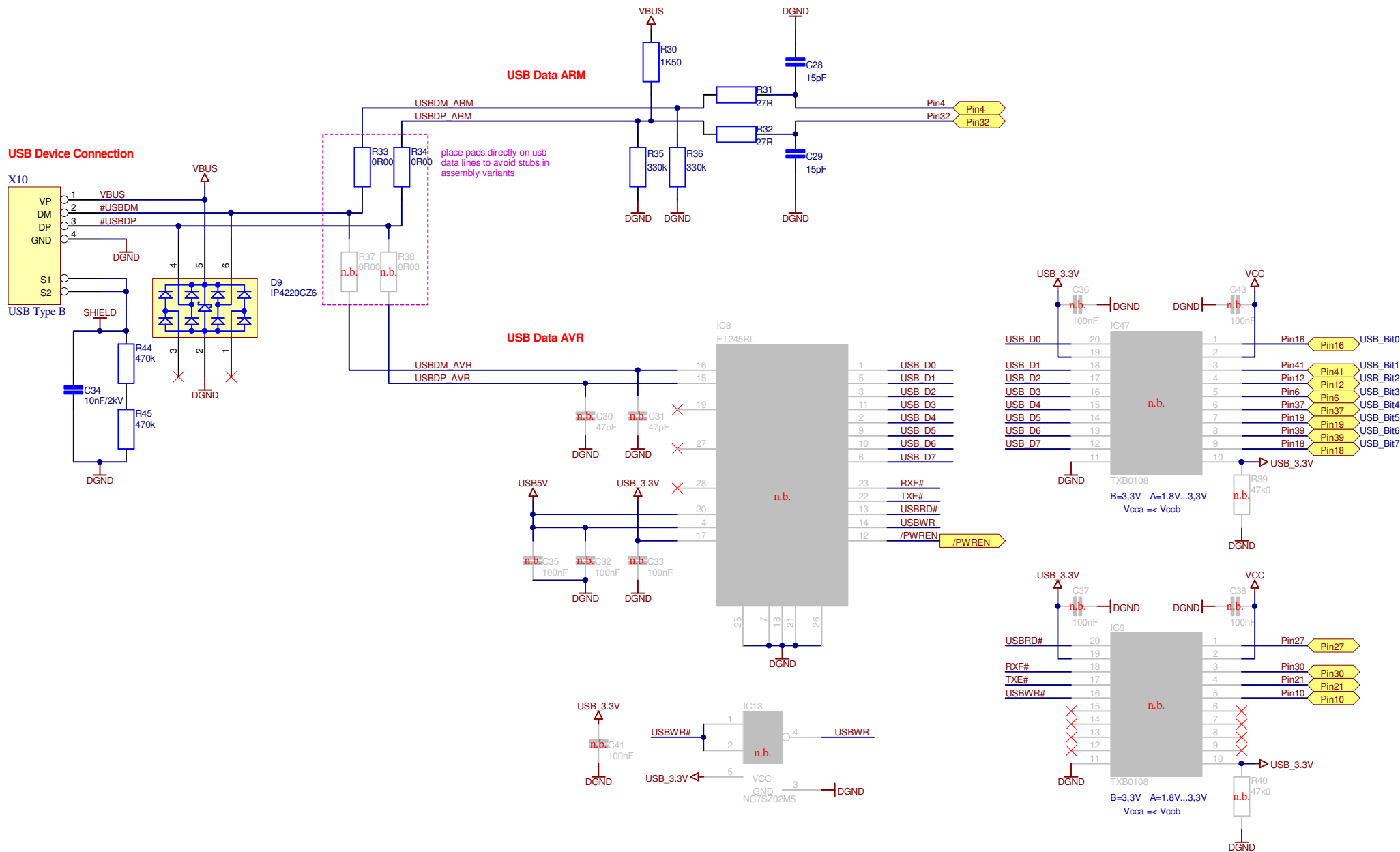


S/N

|         |          |                                    |      |   |                |   |                       |
|---------|----------|------------------------------------|------|---|----------------|---|-----------------------|
|         |          |                                    |      |   |                | <b>dresden elektronik ingenieurtechnik gmbh</b><br>D-01237 Dresden, Enno-Heidebroek-Str. 12 |                       |
|         |          |                                    |      | Title                                       |                | Telefon 0351 / 31 85 00<br>Telefax 0351 / 31 85 010   |                       |
|         |          |                                    |      | deRFgateway-1TNP2-00N00                     |                |   |                       |
| Size A4 |          | Document Number 5 646 16 02.103.02 |      | Document File Name Module_Connectors_SchDoc |                |   |                       |
| Nr.     | Änderung | Datum                              | Name | Date: 04.04.2014                            | Time: 10:06:22 | DrawnBy: NOS/APA  | Sheet 1 of 6 Rev: 2.0 |



|                  |  |                    |  |   |  |
|------------------|--|--------------------|--|---|--|
|                  |  |                    |  | <b>dresden elektronik ingenieurtechnik gmbh</b><br>D-01237 Dresden, Enno-Heidebroek-Str. 12 |  |
|                  |  |                    |  | <b>deRFgateway-1TNP2-00N00</b>  |  |
| Title            |  | Document Number    |  | Telefon 0351 / 31 85 00   |  |
| Size A4          |  | 5 646 16 02.103.02 |  | Telefax 0351 / 31 85 010  |  |
| Date: 04.04.2014 |  | Time: 10:06:22     |  | Document File Name  |  |
| Änderung         |  | Datum              |  | Power_Supply_SchDoc   |  |
| Name             |  | Date: 04.04.2014   |  | Time: 10:06:22  |  |
| Nr.              |  | Änderung           |  | Datum   |  |
| Name             |  | Date: 04.04.2014   |  | Time: 10:06:22  |  |
| Date: 04.04.2014 |  | Time: 10:06:22     |  | DrawnBy: NOS/APA  |  |
| Sheet 2 of 6     |  | Rev: 2.0           |  |   |  |

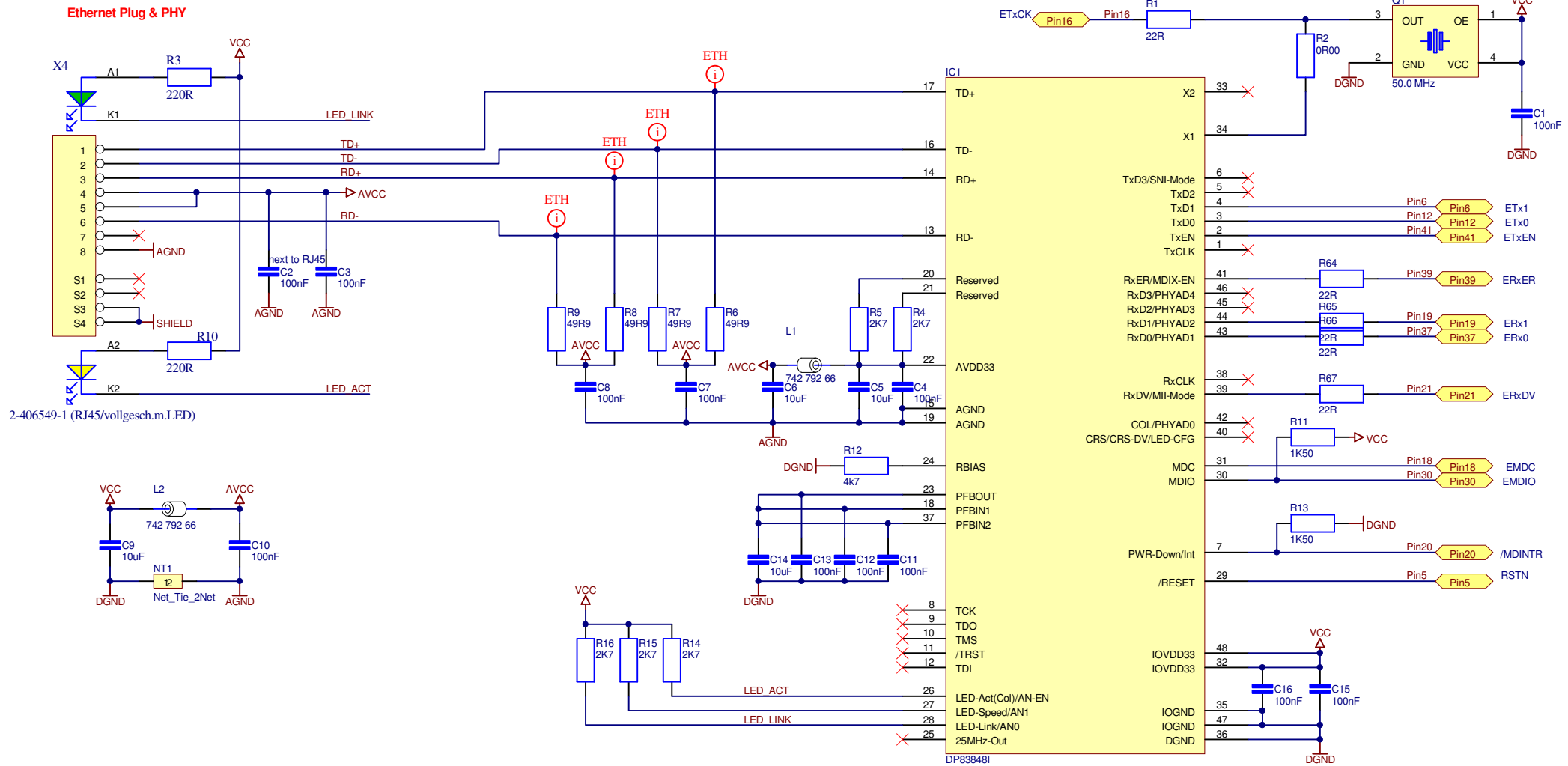


dresden elektronik ingenieurtechnik gmbh  
D-01237 Dresden, Enno-Heidebroek-Str. 12

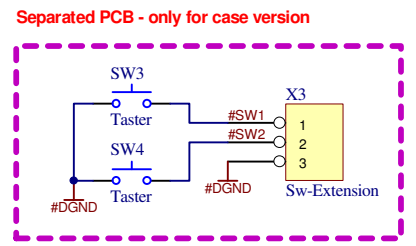
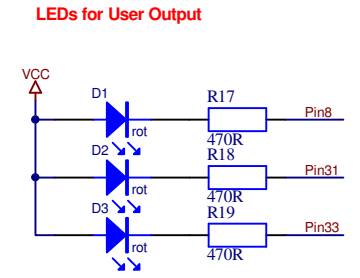
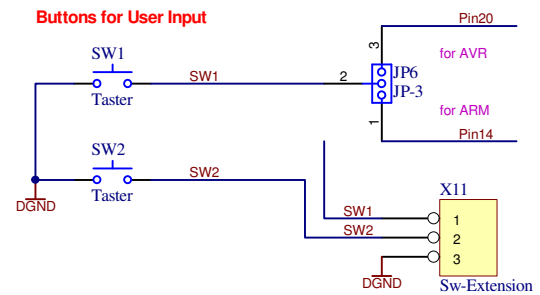
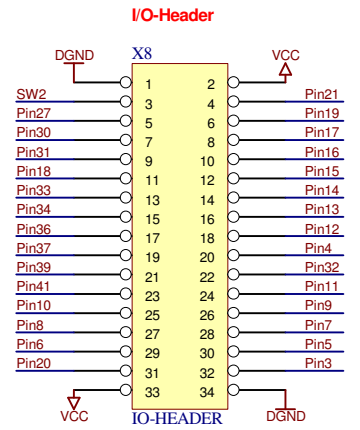
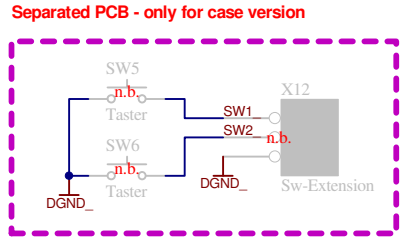
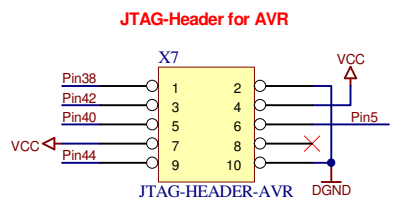
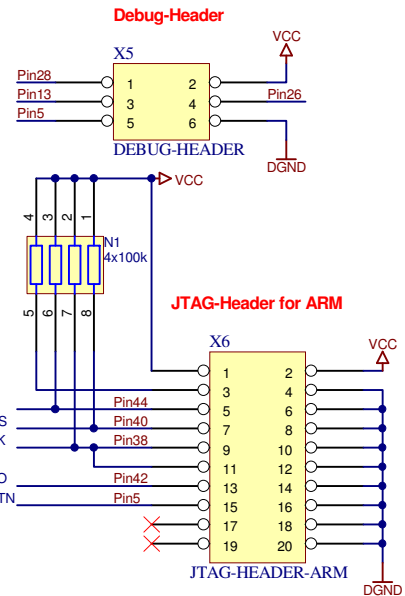
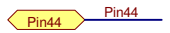
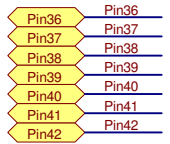
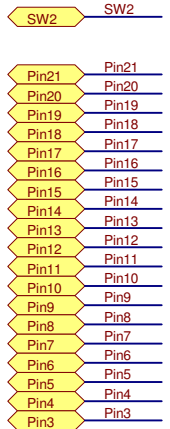
Title deRFgateway-1TNP2-00N00  
Telefon 0351 / 31 85 00  
Telefax 0351 / 31 85 010

Size A4  
Document Number 5 646 16 02.103.02  
Document File Name USB.SchDoc

Nr. Änderung Datum Name Date: 04.04.2014 Time: 10:06:22 DrawnBy: NOS/APA Sheet 3 of 6 Rev: 2.0

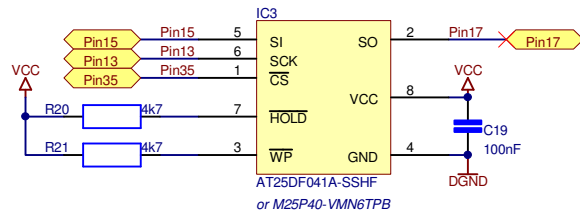


|     |          |  |                         |
|-----|----------|--|-------------------------|
|     |          | <b>dresden elektronik ingenieurtechnik gmbh</b><br>D-01237 Dresden, Enno-Heidebroeck-Str. 12 |                         |
|     |          | Title  | deRFgateway-1TNP2-00N00 |
|     |          | Size   | Document Number         |
|     |          | A4   | 5 646 16 02.103.02      |
|     |          | Date:  | 04.04.2014              |
|     |          | Time:  | 10:06:22                |
|     |          | Document File Name   | Ethernet_SchDoc         |
|     |          | DrawnBy:   | NOS/APA                 |
| Nr. | Änderung | Datum  | Name                    |
|     |          |  |                         |
|     |          | Sheet  | 4 of 6                  |
|     |          | Rev:   | 2.0                     |



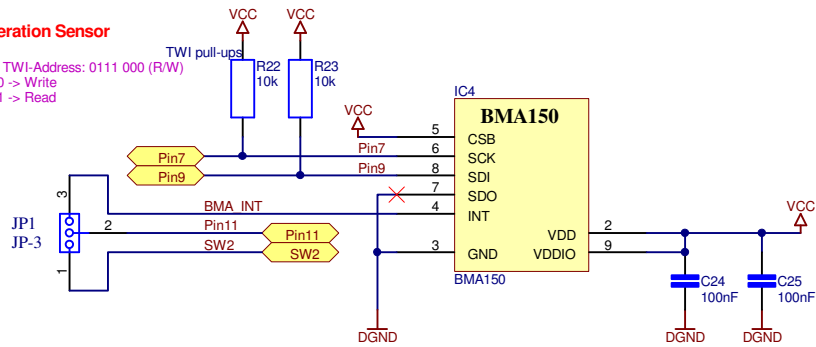
|     |          |       |      |                         |                                    |   |          |
|-----|----------|-------|------|-------------------------|------------------------------------|---|----------|
|     |          |       |      |                         |                                    | <b>dresden elektronik ingenieurtechnik gmbh</b><br>D-01237 Dresden, Enno-Heidebroek-Str. 12 |          |
|     |          |       |      | Title                   |                                    | Telefon 0351 / 31 85 00<br>Telefax 0351 / 31 85 010   |          |
|     |          |       |      | deRFgateway-1TNP2-00N00 |                                    |   |          |
|     |          |       |      | Size A4                 | Document Number 5 646 16 02.103.02 | Document File Name Interfaces.SchDoc  |          |
|     |          |       |      | Date: 04.04.2014        | Time: 10:06:22                     | DrawnBy: NOS/APA  |          |
| Nr. | Änderung | Datum | Name |                         |                                    | Sheet 5 of 6  | Rev: 2.0 |

### 4M Bit Flash Memory



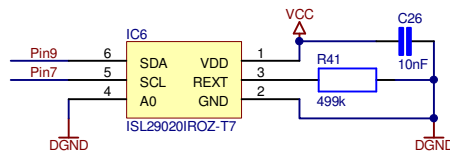
### Acceleration Sensor

Internal TWI-Address: 0111 000 (R/W)  
 R/W = 0 -> Write  
 R/W = 1 -> Read



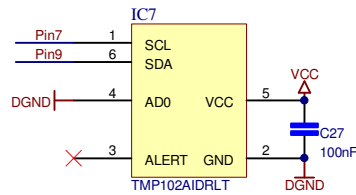
### Ambient Light Sensor

Internal TWI-Address: 1000 100 (R/W)  
 R/W = 0 -> Write  
 R/W = 1 -> Read



### Temperature Sensor

Internal TWI-Address: 1001 000 (R/W)  
 R/W = 0 -> Write  
 R/W = 1 -> Read



|  |  |  |  |                    |  |   |  |
|--|--|--|--|--------------------|--|---|--|
|  |  |  |  |                    |  | <b>dresden elektronik ingenieurtechnik gmbh</b><br>D-01237 Dresden, Enno-Heidebroek-Str. 12 |  |
|  |  |  |  | Title              |  | deRFgateway-1TNP2-00N00   |  |
|  |  |  |  | Size A4            |  | Document Number 5 646 16 02.103.02  |  |
|  |  |  |  | Date: 04.04.2014   |  | Time: 10:06:22  |  |
|  |  |  |  | Document File Name |  | Flash_Sensors.SchDoc  |  |
|  |  |  |  | Nr. Änderung       |  | Datum   |  |
|  |  |  |  | Name               |  | Sheet 6 of 6  |  |
|  |  |  |  | Date: 04.04.2014   |  | Time: 10:06:22  |  |
|  |  |  |  | DrawnBy: NOS/APA   |  | Rev: 2.0  |  |