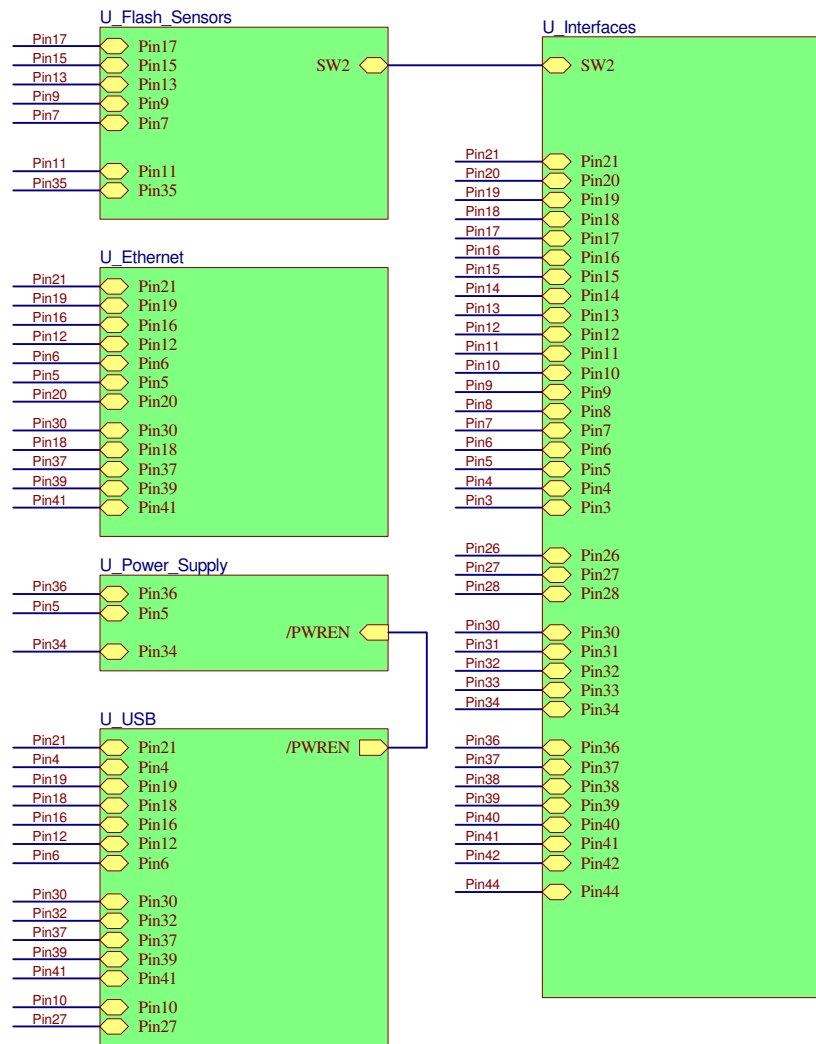
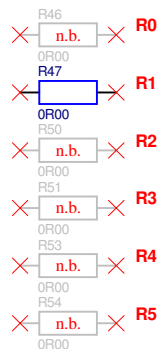
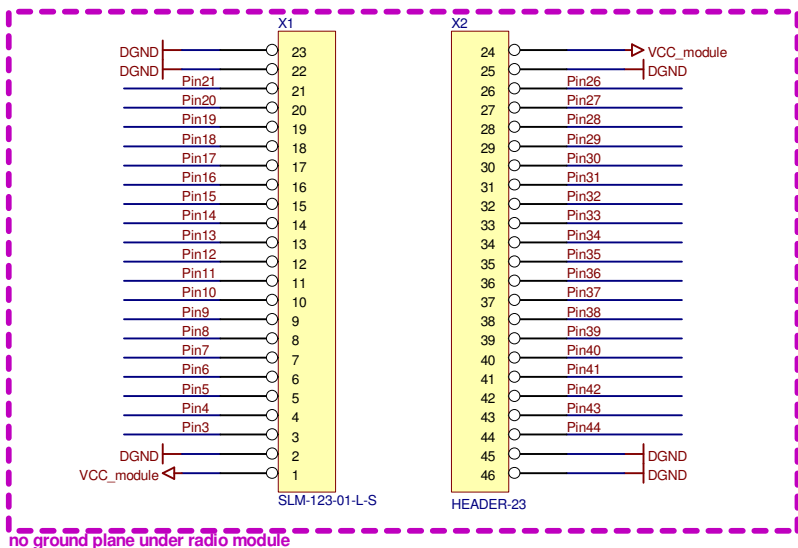
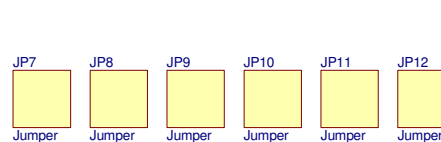


THT-RF-Header for AVR/ARM based radio modules

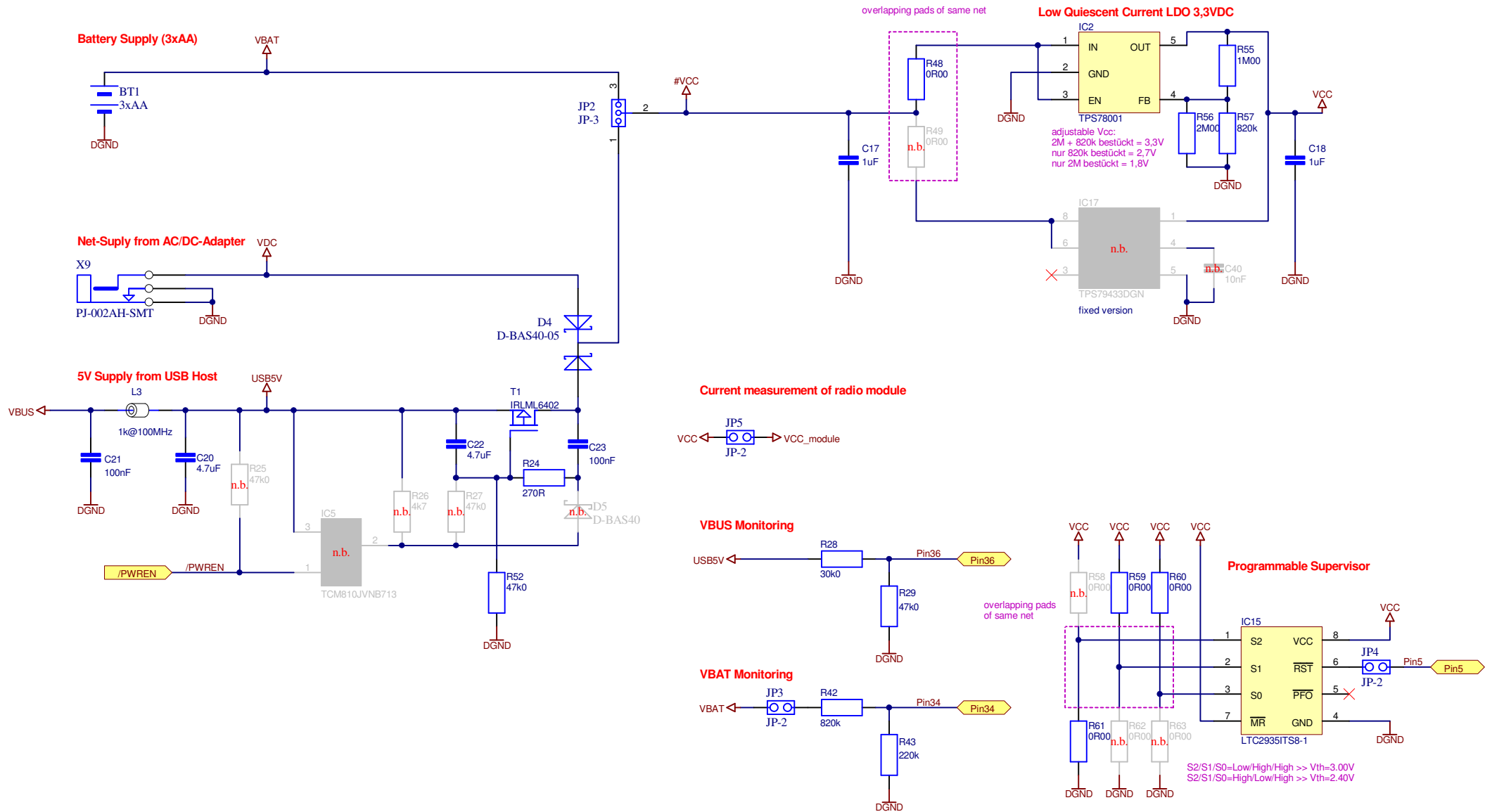


RF-Header Pin Description					
Port	deRFmega128 ATmega128RFA1	deRFarm7-x5xx1 AT91SAM7X512-CU	Port	deRFmega128 ATmega128RFA1	deRFarm7-x5xx1 AT91SAM7X512-CU
Pin23	GND	GND	Pin24	VCC	VCC
Pin22	GND	GND	Pin25	GND	GND
Pin21	PB5/OC1A/PCINT5	PB15/ERXDV/ECRSVDV	Pin26	PE0/RXD0/PCINT8	PA27/DRXD/PCK3
Pin20	PB7/OC0A/OC1C/PCINT7	PB18/EF100/ADTRG	Pin27	PD2/RXD1/INT2	PA0/RXD0
Pin19	PB4/OC2/PCINT4	PB6/ERX1	Pin28	PE1/TXD0	PA28/DTXD
Pin18	PB6/OC1B/PCINT6	PB8/EMDC	Pin29	PD6/T1	PA4/CTS0/SPI1_NPCS3
Pin17	PB3/MISO/PCINT3/PDO	PA16/SPI0_MISO	Pin30	PE2/XCK0/AIN0	PB9/EMDIO
Pin16	PB0/SSN/PCINT0	PB0/ETXCK/EREFCK	Pin31	PE3/OC3A/AIN1	PB21/PWM2/PCK1
Pin15	PB2/MOSI/PCINT2/PDI	PA17/SPI0_MOSI	Pin32	PD4/ICP1	USBDP
Pin14	CLKI	PA3/RTS0/SPI1_NPCS2	Pin33	PE4/OC3B/INT4	PB19/PWM0/TCLK1
Pin13	PB1/SCK/PCINT1	PA18/SPI0_SPCK	Pin34	PF0/ADC0	PB27/TIOA2/PWM0/AD0
Pin12	PD5/XCK1	PB2/ETX0	Pin35	PE5/OC3C/INT5	PA14/SPI0_NPCS2/IRQ1
Pin11	PD7/T0	PB25/TIOA1/DTR1	Pin36	PF1/ADC1	PB28/TIOB2/PWM1/AD1
Pin10	PD3/TXD1/INT3	PA1/TXD0	Pin37	PE6/T3/INT6	PB5/ERX0
Pin9	PD1/SDA/INT1	PA10/TWD	Pin38	PF4/ADC4/TCK	TCK
Pin8	PG5/OC0B	PB26/TIOB1/RI1	Pin39	PE7/ICP3/CLKO/INT7	PB7/ERXER
Pin7	PD0/SCL/INT0	PA11/TWCK	Pin40	PF5/ADC5/TMS	TMS
Pin6	PG2	PB3/ETX1	Pin41	PF2/ADC2	PB1/ETXEN
Pin5	RSTN	RSTN	Pin42	PF6/ADC6/TDO	TDO
Pin4	PG1/DIG1	USBDM	Pin43	RSTON	JTAGSEL
Pin3	AREF	ADVREF	Pin44	PF7/ADC7/TDI	TDI
Pin2	GND	GND	Pin45	GND	GND
Pin1	VCC	VCC	Pin46	GND	GND

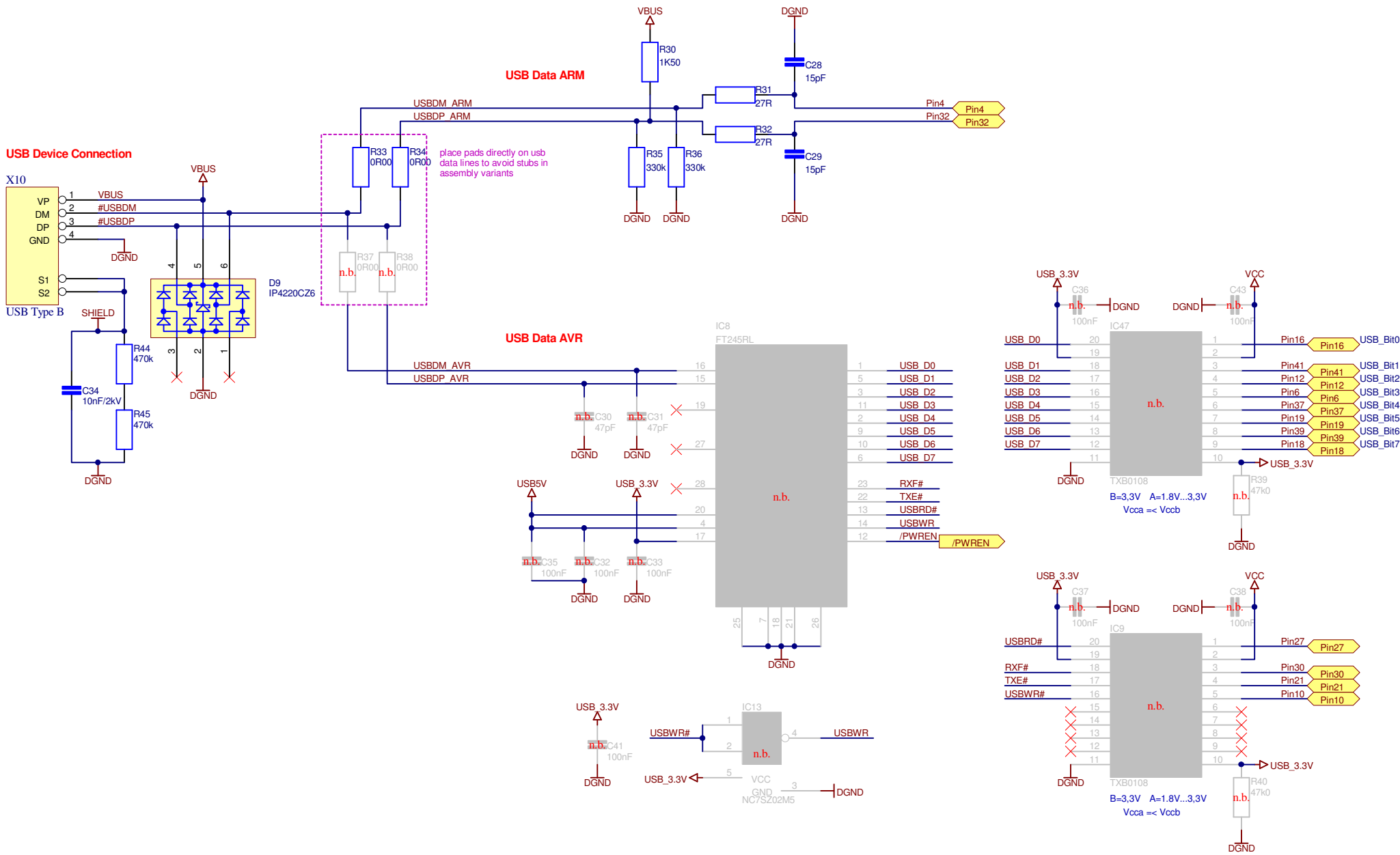



S/N

						dresden elektronik ingenieurtechnik gmbh D-01237 Dresden, Enno-Heidebroek-Str. 12	
				Title		Telefon 0351 / 31 85 00 Telefax 0351 / 31 85 010	
				deRFnode-1TNP2-00N00			
Size A4		Document Number 5 646 16 02.101.02		Document File Name Module_Connectors_SchDoc			
Nr.		Änderung		Datum		Name	
				Date: 04.04.2014		Time: 10:06:23	
				DrawnBy: NOS/APA		Sheet 1 of 6 Rev: 2.0	

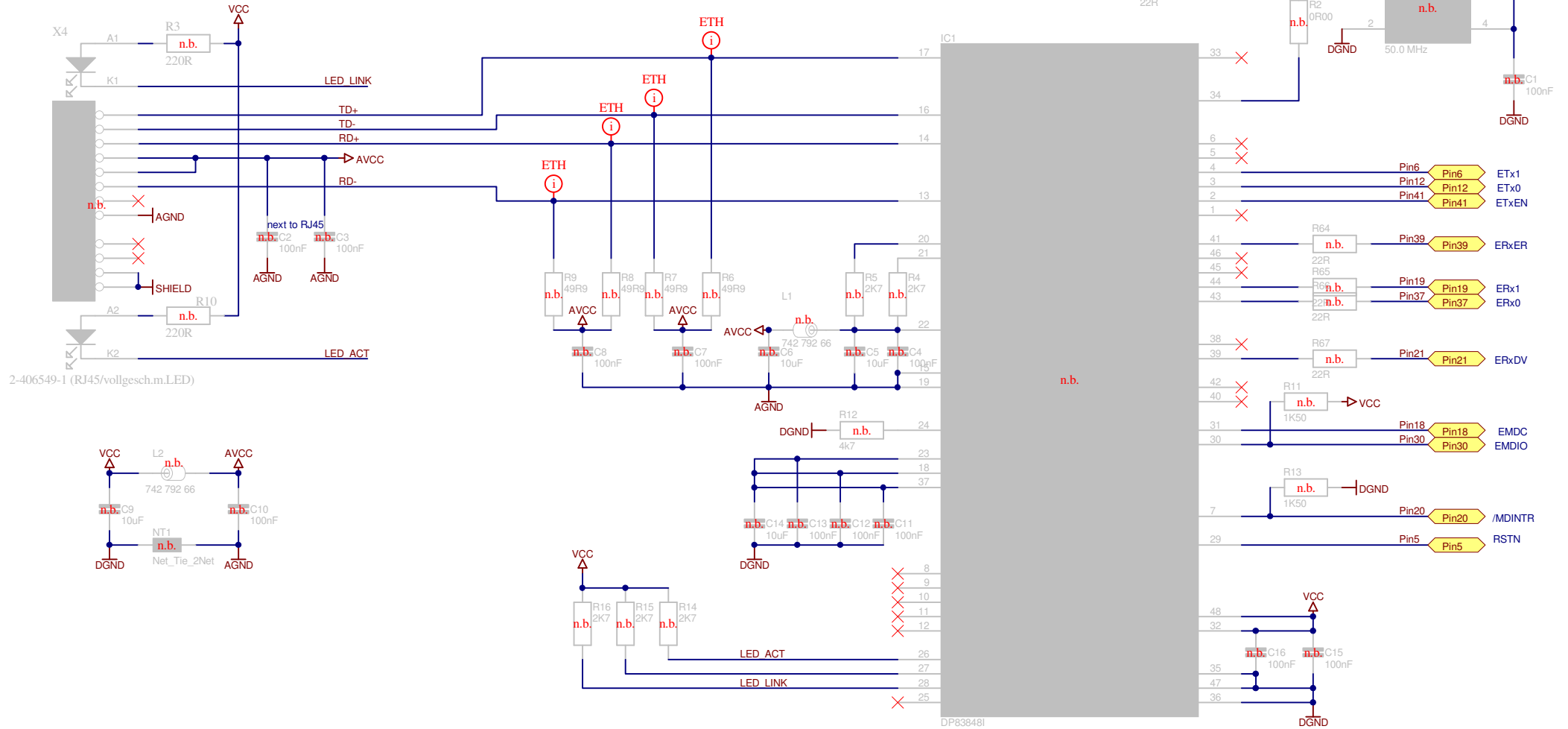


				dresden elektronik ingenieurtechnik gmbh D-01237 Dresden, Enno-Heidebroek-Str. 12	
				deRFnode-1TNP2-00N00	
				Telefon 0351 / 31 85 00 Telefax 0351 / 31 85 010	
				Document File Name Power_Supply.SchDoc	
				Date: 04.04.2014 Time: 10:06:23 DrawnBy: NOS/APA	
Nr.	Änderung	Datum	Name	Size A4	Document Number 5 646 16 02.101.02
					Sheet 2 of 6 Rev: 2.0



 dresden elektronik ingenieurtechnik gmbh D-01237 Dresden, Enno-Heidebroek-Str. 12		Title deRFnode-1TNP2-00N00	Telefon 0351 / 31 85 00 Telefax 0351 / 31 85 010					
		Size A4 Document Number 5 646 16 02.101.02	Document File Name USB.SchDoc					
Nr.	Änderung	Datum	Name	Date: 04.04.2014	Time: 10:06:23	DrawnBy: NOS/APA	Sheet 3 of 6	Rev: 2.0

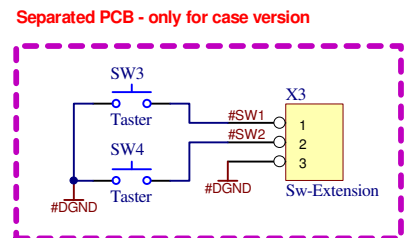
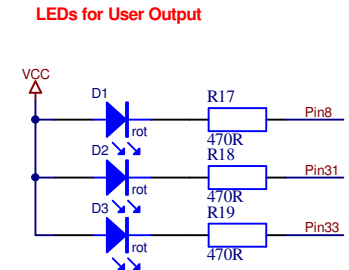
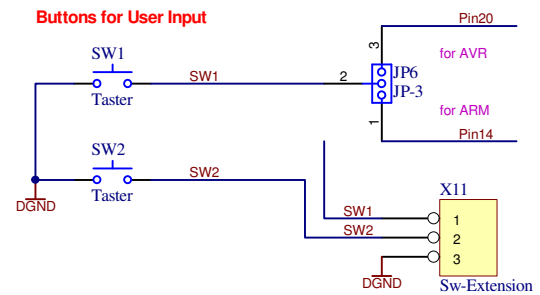
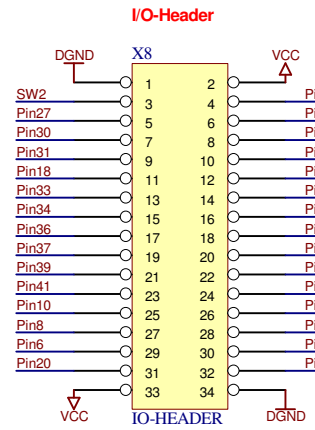
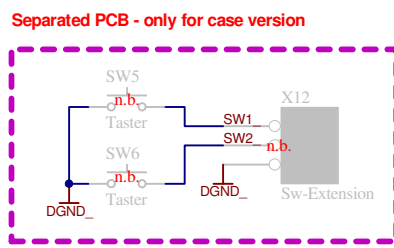
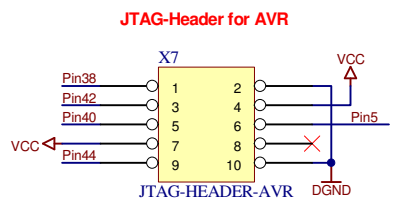
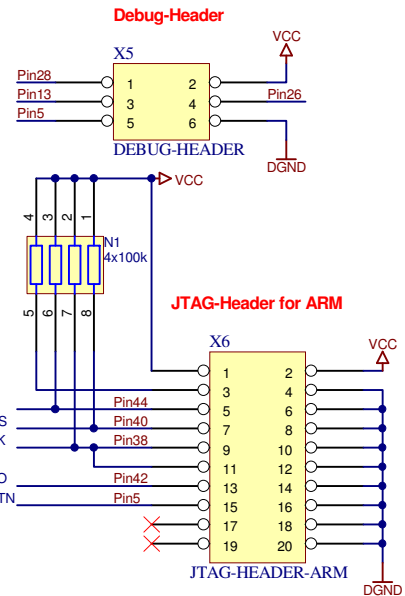
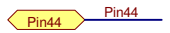
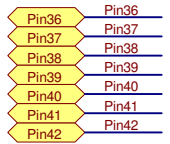
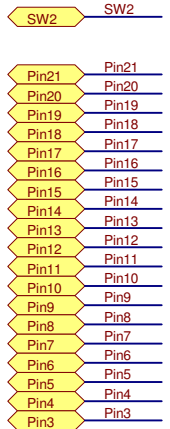
Ethernet Plug & PHY



dresden elektronik ingenieurtechnik gmbh
 D-01237 Dresden, Enno-Heidebroek-Str. 12

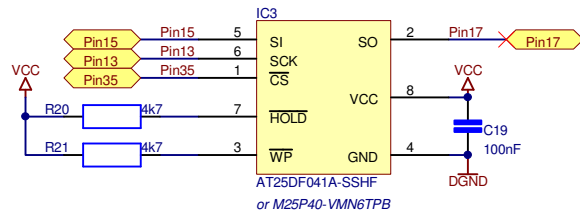
Title	deRFnode-1TNP2-00N00		Telefon 0351 / 31 85 00 Telefax 0351 / 31 85 010
Size A4	Document Number 5 646 16 02.101.02	Document File Name Ethernet_SchDoc	
Date: 04.04.2014	Time: 10:06:23	DrawnBy: NOS/APA	Sheet 4 of 6 Rev: 2.0

Nr.	Änderung	Datum	Name



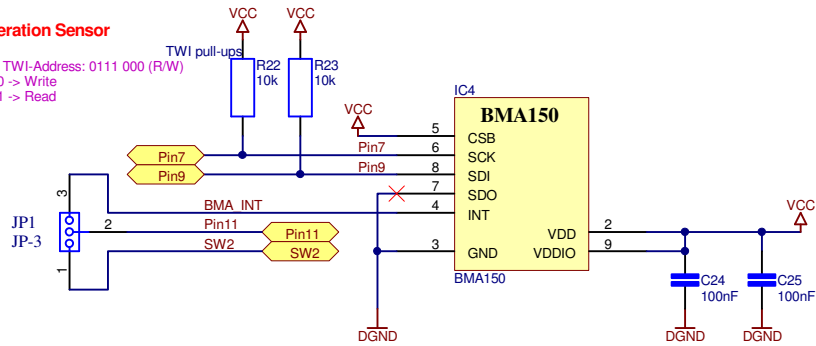
						dresden elektronik ingenieurtechnik gmbh D-01237 Dresden, Enno-Heidebroek-Str. 12	
				Title		Telefon 0351 / 31 85 00 Telefax 0351 / 31 85 010	
				Size A4		Document Number 5 646 16 02.101.02	
				Date: 04.04.2014		Time: 10:06:23	
				Document File Name		Interfaces.SchDoc	
				Date: 04.04.2014		Time: 10:06:23	
				DrawnBy: NOS/APA		Sheet 5 of 6	
				Rev: 2.0			

4M Bit Flash Memory



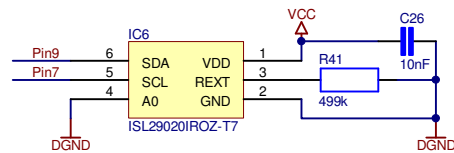
Acceleration Sensor

Internal TWI-Address: 0111 000 (R/W)
 R/W = 0 -> Write
 R/W = 1 -> Read



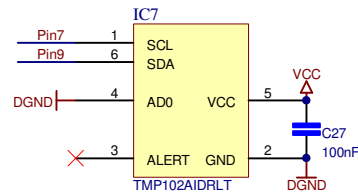
Ambient Light Sensor

Internal TWI-Address: 1000 100 (R/W)
 R/W = 0 -> Write
 R/W = 1 -> Read



Temperature Sensor

Internal TWI-Address: 1001 000 (R/W)
 R/W = 0 -> Write
 R/W = 1 -> Read



						dresden elektronik ingenieurtechnik gmbh D-01237 Dresden, Enno-Heidebroek-Str. 12	
				Title		deRFnode-1TNP2-00N00	
				Size A4		Document Number 5 646 16 02.101.02	
				Date: 04.04.2014		Time: 10:06:23	
				Document File Name		Flash_Sensors.SchDoc	
				Nr.		Änderung	
				Datum		Name	
				Date: 04.04.2014		Time: 10:06:23	
				DrawnBy: NOS/APA		Sheet 6 of 6	
				Rev: 2.0			